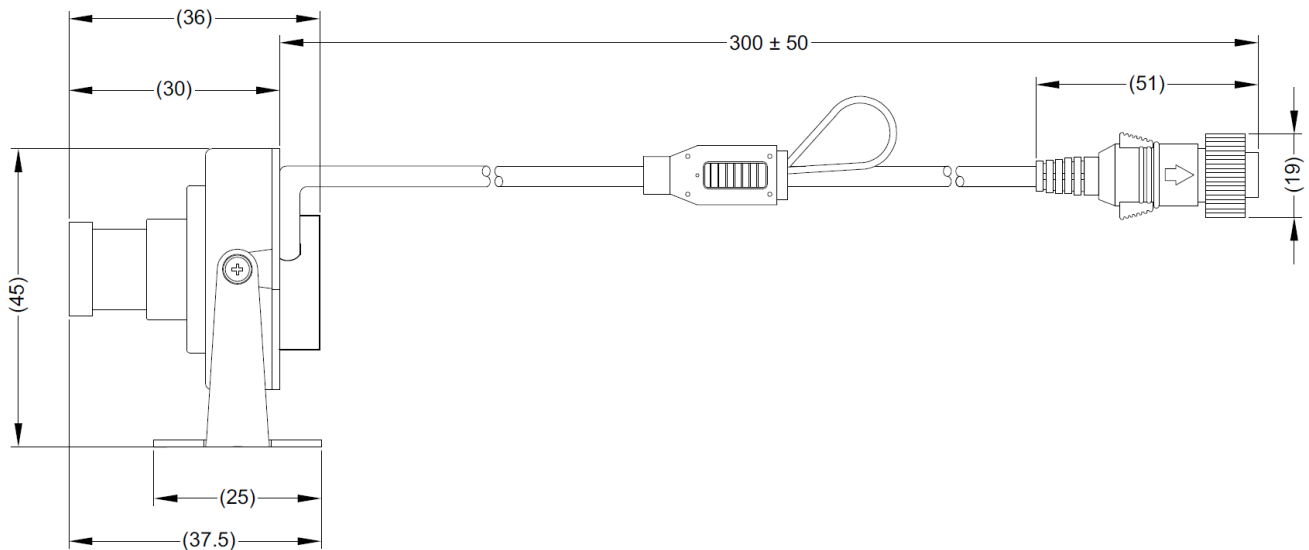


Product Specification



Brigade Model Number: DMC-1025 / DMC-1021
Brigade Part Number: 4910 / 5163



Dimensions: mm

Product Specification

Environmental Specifications:

- Shock Rating: 50 G
- Vibration Rating: 10 G
- Camera IP Rating: IP30
- Connector IP Rating: IP67
- Operating Temperature: -30° to +60°C
- Storage Temperature: -40° to +80°C

Approved Standards:

- CE
- FCC - (47 CFR Part 15 Subpart B)
- RoHS 2
- WEEE
- 'E' Mark - (ECE Regulation 10 Rev 05)

Technical Specifications:

- Operating Voltage: 12 Vdc
- Current Consumption: ≤ 70mA @ 12 Vdc
- Power Consumption: ≤ 1 Watts @ 12 Vdc
- Imaging Devices: CCD - 1/3" Sony
DSP - Nextchip
- TV System:

DMC-1025	PAL
DMC-1021	NTSC
- Picture Elements:

DMC-1025	752(H) x 582(V)
DMC-1021	768(H) x 494(V)
- Visual Resolution:

DMC-1025	550 TV Lines
DMC-1021	400 TV Lines
- Lens Focal Length: 3.6mm
- Signal to Noise Ratio: 55dB

Technical Specifications Continued...

- Required Illumination: 0.5 Lux
- Viewing Angle:

DMC-1025	69°(H), 54°(V), 90°(D) ± 5%
DMC-1021	76°(H), 55°(V), 98°(D) ± 5%
- Weight: Approx. 85 Grams
- Video Output: 1.25 Vp-p / 75Ω
- Length of Cable: 300 ± 50mm
- Overall Dimensions: 43mm (W) x 37.5mm (D) x 45mm (H)
- Casing Material: Aluminium Alloy
- View: Mirror/Normal
- Finish: Black Powder Coating

Features:

- Compact size
- BE Type Connector
- Back Light Compensation
- Automatic White Balance
- High Quality Sony CCD
- High Quality Nextchip DSP

Package Contents:

- 1 x Camera
- 1 x Bracket
- 1 x Fixing Kit
- 1 x Installation Guide

